

PRESSURE TRANSMITTER

DATA SHEET

FKG...5

The FCX-AIII pressure transmitter accurately measures gauge pressure and transmits a proportional 4 to 20mA signal.

The transmitter utilizes a unique micromachined capacitance silicon sensor with state-of-the-art microprocessor technology to provide exceptional performance and functionality.

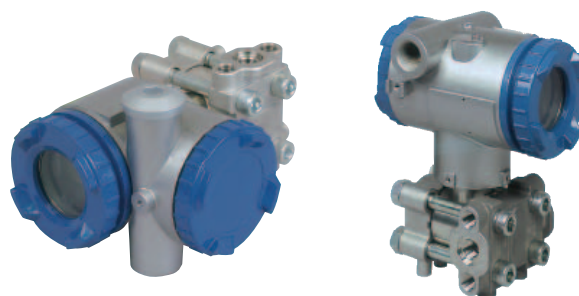
FEATURES

- High accuracy up to ±0.04%**
0.065% accuracy as standard, 0.04% accuracy as option. Fuji's micro-capacitance silicon sensor assures this accuracy for all elevated or suppressed calibration ranges without additional adjustment.
- Minimum environmental influence**
The "Advance Floating Cell" design which protects the pressure sensor against changes in temperature, and overpressure substantially reduces total measurement error in actual field applications.
- Fuji/HART® bilingual communications protocol**
FCX-AIII series transmitter offers bilingual communications to speak both Fuji proprietary protocol and HART®. Any HART® compatible devices can communicate with FCX-AIII.
- Application flexibility**
Various options that render the FCX-AIII suitable for almost any process applications include:
 - Full range of hazardous area approvals
 - Built-in RFI filter and lightning arrester
 - 5-digit LCD meter with engineering unit
 - Stainless steel electronics housing
- Burnout current flexibility (Under Scale: 3.2 to 4.0mA, Over Scale: 20.0 to 22.5mA)**
Burnout signal level is adjustable using Model FXW Hand Held Communicator (HHC) to comply with NAMUR NE43.
- Dry calibration without reference pressure**
Thanks to the best combination of unique construction of mechanical parts (Sensor unit) and high performance electronics circuit (Electronics unit), reliability of dry calibration without reference pressure is at equal level as wet calibration.

SPECIFICATIONS

Functional specifications

- Service:** Liquid, gas, or vapour
- Output signal:** 4 to 20mA DC with digital signal superimposed on the 4 to 20mA signal.
- Power supply:** Transmitter operates on 10.5V to 45V DC at transmitter terminals.
10.5V to 32V DC for the units with optional arrester.



[L-Type]

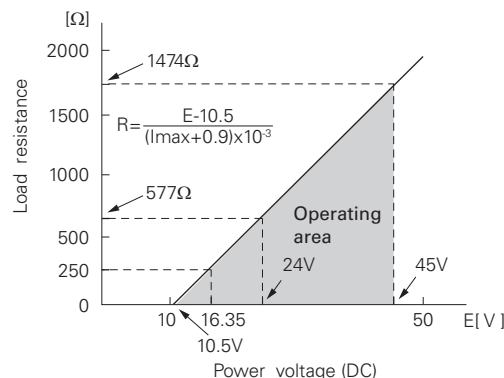
[T-Type]

Span, range and overrange limit:

Type	Span limit [kPa] {bar}		Range limit [kPa] {bar}		Overrange limit [MPa] {bar}
	Min.	Max.	Lower limit	Upper limit	
FKG□01	1.3 {0.013}	130 {1.3}	-100 {-1}	130 {1.3}	1 {10}
FKG□02	5 {0.05}	500 {5}	-100 {-1}	500 {5}	1.5 {15}
FKG□03	30 {0.3}	3000 {30}	-100 {-1}	3000 {30}	9 {90}
FKG□04	100 {1}	10000 {100}	-100 {-1}	10000 {100}	15 {150}
FKG□05	500 {5}	50000 {500}	-100 {-1}	50000 {500}	75 {750}

- Remark: To minimize environmental influence, span should be greater than 1/40 of the max. span in most applications.
- Lower range limit (vacuum limit) ;
Silicone fill sensor: See Fig. 1
Fluorinated fill sensor: 66kPa abs (500mmHg abs) at below 60°C
 - Conversion factors to different units;
1 MPa=10³ kPa=10bar=10.19716kgf/cm²= 145.0377psi
1kPa=10mbar=101.9716mmH₂O =4.01463inH₂O

Load limitations: see figure below



Note: For communication with HHC⁽¹⁾ (Model: FXW), min. of 250 Ω required.

Hazardous locations: (Under an application) SEE TABLE2
Zero/span adjustment:

Zero and span are adjustable from the HHC⁽¹⁾. Zero and span are also adjustable externally from the adjustment screw.

Damping: Adjustable from HHC or local configurator unit with LCD display.
 The time constant is adjustable between 0.06 to 32 seconds.

Zero elevation/suppression:
 Zero can be elevated or suppressed within the specified range limit of each sensor model.

Normal/reverse action:
 Selectable from HHC⁽¹⁾.

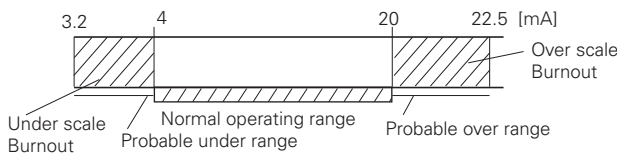
Indication: Analog indicator or 5-digit LCD meter, as specified.

Burnout direction: Selectable from HHC⁽¹⁾
 If self-diagnostic detect transmitter failure, the analog signal will be driven to either "Output Hold", "Output Overscale" or "Output Underscale" modes.

"Output Hold":
 Output signal is hold as the value just before failure happens.

"Output Overscale":
 Adjustable within the range 20.0mA to 22.5mA from HHC⁽¹⁾

"Output Underscale":
 Adjustable within the range 3.2mA to 4.0mA from HHC



Output limits conforming to NAMUR NE43 by order.

Loop-check output:
 Transmitter can be configured to provide constant signal 3.2mA through 22.5mA by HHC.

Temperature limit:
 Ambient: -40 to +85°C
 (-20 to +80°C for LCD indicator)
 (-40 to +60°C for arrester option)
 (-10 to +60°C for fluorinated oil fill transmitter)
 For explosionproof units (flameproof or intrinsic safety), ambient temperature must be within the limits specified by each standard.
 Process: -40 to +100°C for silicone fill sensor
 -20 to +80°C for fluorinated oil fill sensor
 Storage: -40 to +90°C

Humidity limit: 0 to 100% RH

Communication: With HHC⁽¹⁾ (Model FXW, consult Data Sheet No. EDS8-47), following items can be remotely displayed or configured.
 Note: HHC's version must be higher than 7.0 (or FXW □□□□1-□4), for FCX-AIII.

Local configurator with LCD display (option):
 Local configurator with 3 push button and LCD display can support following items.

Items	By communication with FXW		By local configurator (with 3 push button)	
	Display	Set	Display	Set
Tag No.	✓	✓	✓	✓
Model No.	✓	✓	✓	✓
Serial No. & Software Version	✓	—	✓	—
Engineering unit	✓	✓	✓	✓
Range limit	✓	—	✓	—
Measuring range	✓	✓	✓	✓
Damping	✓	✓	✓	✓
Output mode	✓	—	✓	—
Burnout direction	✓	✓	✓	✓
Calibration	✓	✓	✓	✓
Output adjust	—	✓	—	✓
Data	✓	—	✓	—
Self diagnoses	✓	—	✓	—
Printer (In case of FXW with printer option)	✓	—	—	—
External switch lock	✓	✓	✓	✓
Transmitter display	✓	✓	✓	✓
Linearize	✓	✓	—	—
Rerange	✓	✓	✓	✓
Saturate current	✓	✓	✓	✓
Write protect	✓	✓	✓	✓
History				
- Calibration history	✓	✓	✓	✓
- Ambient temperature history	✓	—	✓	—

EMC Conformity: EN61326-1: 2006 CE

Performance specifications

Reference conditions, silicone oil fill, 316SS isolating diaphragms, 4 to 20mA analog output in linear mode.

Accuracy rating: (including linearity, hysteresis, and repeatability)

Max span below 10000kPa model:
 For spans greater than 1/10 of URL:
 ±0.065% of span or
 ±0.04% of span (21th digit: H)
 For spans below 1/10 of URL:
 ± (0.015+0.05 $\frac{0.1 \times \text{URL}}{\text{Span}}$) % of span

Max span 50000kPa model:
 For spans greater than 1/10 of URL: ±0.1% of span
 For spans below 1/10 of URL:
 ± (0.05+0.05 $\frac{0.1 \times \text{URL}}{\text{Span}}$) % of span

Stability: ±0.1% of upper range limit (URL) for 10 years.

Temperature effect:
 Effects per 28°C change between the limits of -40°C and +85°C
 Zero shift: ±(0.075+0.0125 $\frac{\text{URL}}{\text{span}}$) %
 Total effect: ±(0.095+0.0125 $\frac{\text{URL}}{\text{span}}$) %

Overrange effect: Zero shift; 0.2% of URL for any over-range to maximum limit

Supply voltage effect:
 Less than 0.005% of calibrated span per 1V

Update rate: 60 msec

Step response: Time constant: 0.08s (at 23°C)
 Dead time: approximately 0.12s (without electrical damping)

(Note) (1) HHC: Hand Held Communicator

Mounting position effect:

Zero shift, less than 0.1kPa {1m bar} for a 10° tilt in any plane.
No effect on span. This error can be corrected by adjusting Zero.

Dielectric strength:

500V AC, 50/60Hz 1 min., between circuit and earth.

Insulation resistance:

More than 100MΩ at 500V DC.

Internal resistance for external field indicator:

12Ω or less

Physical specifications

Electrical connections:

G1/2, 1/2-14 NPT, Pg13.5, or M20 × 1.5 conduit, as specified.

Process connections:

1/4-18 NPT or Rc1/4 on 54mm centers, as specified.
Meet DIN 19213

Process-wetted parts material:

Code symbols)	Material	Diaphragm	Wetted sensor body	Vent/drain
V	316 stainless steel(*1)	316L stainless steel	316 stainless steel	316 stainless steel
W	316 stainless steel(*1)	Hastelloy-C	316 stainless steel	316 stainless steel
J	316 stainless steel(*1)	316L stainless steel +Au coating	316 stainless steel	316 stainless steel
H	316 stainless steel(*1)	Hastelloy-C	Hastelloy-C lining	316 stainless steel
M	316 stainless steel(*1)	Monel	Monel lining	316 stainless steel
T	316 stainless steel(*1)	Tantalum	Tantalum lining	316 stainless steel

Note: *(1) ASTM CF8M

Remark: Availability of above material design depends on ranges. Refer to "Code symbols."

Non-wetted parts material:

Electronics housing: Low copper die-cast aluminum alloy finished with polyester coating (standard), or 316 stainless steel (SCS14 per JIS G5121), as specified.

Bolts and nuts: Cr-Mo alloy (standard), 304 or 316 stainless steel (630 stainless steel for 50MPa unit).

Fill fluid: Silicone oil (standard) or fluorinated oil

Mounting bracket: 304 or 316 stainless steel

Environmental protection:

IEC IP67 and NEMA 6/6P

Mounting:

On 60.5mm (JIS 50A) pipe using mounting bracket, direct wall mounting, or direct process mounting.

Mass (weight):

Transmitter approximately 2.9 to 3.4kg without options.
Add; 0.5kg for mounting bracket
4.5kg for stainless steel housing option

Optional features

Indicator:

A plug-in analog indicator (2.5% accuracy)
An optional 5-digit LCD meter with engineering unit is also available.

Local configurator with LCD display:

An optional 5 digits LCD meter with 3 push buttons can support items as using communication with FXW.

Arrester:

A built-in arrester protects the electronics from lightning surges.
Lightning surge immunity:
4kV (1.2 × 50μs)

Oxygen service:

Special cleaning procedures are followed throughout the process to maintain all process wetted parts oil-free.
The fill fluid is fluorinated oil.

Chlorine service:

The fill fluid is fluorinated oil.

Degreasing:

Process-wetted parts are cleaned, but the fill fluid is standard silicone oil. Not for use on oxygen or chlorine measurement.

NACE specification:

Metallic materials for all pressure boundary parts comply with NACE MR-01-75. ASTM B7M or L7M bolts and 2HM nuts (Class II) are available.

Vacuum service:

Special silicone oil and filling procedure are applied.
See Fig.1.

Optional tag plate:

An extra stainless steel tag with customer tag data is wired to the transmitter.

Coating of cell:

Cell's surface is finished with epoxy/polyurethane double coating. Specify if environment is extremely corrosive.

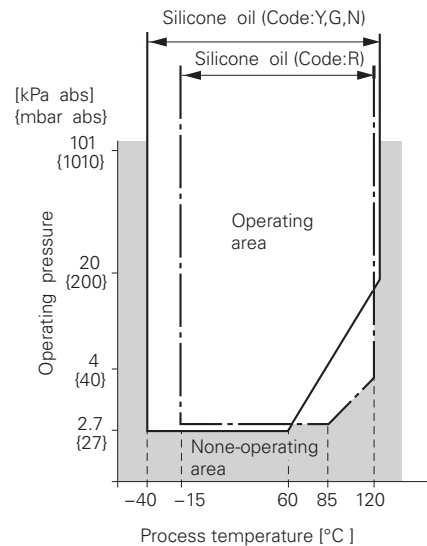


Fig. 1 Relation between process temperature and operating pressure

CODE SYMBOLS

Digit	Description	Note	Digit No. of code																	
			1	2	3	4	5	6	7	8	9	10	11	12	13	14	15	21		
4	<Connections>				Note 1 Note 1	F	K	G	0	5										
	Process connection	Oval flange screw	Conduit connection	Case type																
	Rc1/4	7/16-20UNF	G1/2	T type						5										
	1/4-18NPT	7/16-20UNF	1/2-14NPT	T type						6										
	1/4-18NPT	M10 (or M12)(*1)	Pg13.5	T type						7										
	1/4-18NPT	M10 (or M12)(*1)	M20x1.5	T type						8										
	1/4-18NPT	7/16-20UNF	Pg13.5	T type						9										
	Rc1/4	7/16-20UNF	G1/2	L type						S										
	1/4-18NPT	7/16-20UNF	1/2-14NPT	L type						T										
	1/4-18NPT	M10 (or M12)(*1)	Pg13.5	L type						V										
	1/4-18NPT	M10 (or M12)(*1)	M20x1.5	L type						W										
	1/4-18NPT	7/16-20UNF	Pg13.5	L type						X										
6, 7					Note 2															
	Span limit [kPa]{bar}{*2}	Process cover	Diaphragm	Wetted cell body																
	1.3...130 {0.013...1.3}	316 stainless steel	316L stainless steel	316 stainless steel								1V								
		316 stainless steel	Hast. C	SUS316								1W								
		316 stainless steel	316L stainless steel +Au coating	316 stainless steel								1J								
	5...500 {0.05...5}	316 stainless steel	Hast. C	Hast. C lining								1H								
		316 stainless steel	Monel	Monel lining								1M								
		316 stainless steel	Tantalum	Tantalum lining								1T								
	30...3000 {0.3...30}	316 stainless steel	316L stainless steel	316 stainless steel								2V								
		316 stainless steel	Hast. C	SUS316								2W								
		316 stainless steel	316L stainless steel +Au coating	316 stainless steel								2J								
	100...10000 {1...100}	316 stainless steel	Hast. C	Hast. C lining								2H								
		316 stainless steel	Monel	Monel lining								2M								
		316 stainless steel	Tantalum	Tantalum lining								2T								
	500...50000 {5...500}	316 stainless steel	316L stainless steel	316 stainless steel								3V								
		316 stainless steel	Hast. C	SUS316								3W								
		316 stainless steel	316L stainless steel +Au coating	316 stainless steel								3J								
	100...10000 {1...100}	316 stainless steel	Hast. C	Hast. C lining								3H								
		316 stainless steel	Monel	Monel lining								3M								
		316 stainless steel	Tantalum	Tantalum lining								3T								
	500...50000 {5...500}	316 stainless steel	316L stainless steel	316 stainless steel								4V								
		316 stainless steel	Hast. C	SUS316								4W								
		316 stainless steel	316L stainless steel +Au coating	316 stainless steel								4J								
	500...50000 {5...500}	316 stainless steel	Hast. C	Hast. C lining								4H								
316 stainless steel		Monel	Monel lining							4M										
316 stainless steel		Tantalum	Tantalum lining							4T										
500...50000 {5...500}	316 stainless steel	316L stainless steel	316 stainless steel							5V										
	SCS14	Hast. C	SUS316							5W										
	316 stainless steel	316L stainless steel +Au coating	316 stainless steel							5J										
9	<Indicator and arrester>																			
	Indicator			Arrester																
	None			None														A		
	Analog, 0 to 100% linear scale			None														B		
	Analog, custom scale			None														D		
	None			Yes														E		
	Analog, 0 to 100% linear scale			Yes														F		
	Analog, custom scale			Yes														H		
	Digital, 0 to 100% linear scale			None														L		
	Digital, custom scale			None														P		
	Digital, 0 to 100% linear scale			Yes														Q		
	Digital, custom scale			Yes														S		
	Digital, 0 to 100% linear scale (Local configurator unit with LCD display)			None														1		
	Digital, custom scale (Local configurator unit with LCD display)			None														2		
	Digital, 0 to 100% linear scale (Local configurator unit with LCD display)			Yes														4		
Digital, custom scale (Local configurator unit with LCD display)			Yes														5			

Note 1 : (*1) For 50MPa {500bar} units, M12 is provided rather than M10.
 Note 2 : (*2) 100: 1 turn down is possible, but should be used at the span greater than 1/40 of the maximum span for better performance.

Digit	Description	Note	1	2	3	4	5	6	7	8	9	10	11	12	13	14	15	21	← Digit No. of code						
10	<Approvals for hazardous locations> None (for ordinary locations) TIIIS, Flameproof (Cable gland seal) (*6) TIIIS, Intrinsic safety FM, Flameproof (or explosionproof) (*9) FM, Intrinsic safety and nonincentive FM Combined of flameproof and intrinsic safety (*9) ATEX Flameproof (*8) ATEX Intrinsic safety ATEX Type n ATEX Combined of flameproof and intrinsic safety (*8) IECEX Scheme, Flameproof (*8) IECEX Scheme, Intrinsic safety CSA, Flameproof (or explosionproof) (*9) CSA, Intrinsic safety and nonincentive NEPSI, Flameproof (or explosionproof) NEPSI, Intrinsic safety NEPSI, Combined of flameproof and intrinsic safety	Note 6 Note 9 Note 9 Note 8 Note 8 Note 8 Note 9	F	K	G	0	5																		
11	<Vent/ drain and mounting bracket> Vent/drain Mounting bracket Process connection Standard None Standard Standard Yes, SUS304 Standard Standard Yes, SUS316 Standard Side None Standard Side Yes, SUS304 Standard Side Yes, SUS316 Standard												A	C	K	D	F	L							
12	<Options> Extra SS tag plate Stainless steel elec. housing Coating of cell None None None Yes None None None } (*3) None Yes Note 3 Yes None Yes None Yes } (*5) Yes Note 5 Yes Yes } (*5) Yes Note 5												Y	B	M	N	P	Q							
13	<Special applications and fill fluid> Treatment Fill fluid Standard Silicone oil Standard Fluorinated oil Degreasing Silicone oil Oxygen service Fluorinated oil (7th digit code "V", "W", "J" only) Chlorine service Fluorinated oil (7th digit code "H", "T") NACE specification Silicone oil (Not available for 6th digit code "5", 7th digit code "T", 15th digit code "A", "B") Vacuum service Silicone oil for vacuum use												Y	W	G	A	D	N							
14	<Sensor O-ring / Gasket> Teflon (gasket)																B								
15	<Bolt/nut> (*10) <Vent Drain plug type> Cr-Mo alloy hexagon socket head cap screw/carbon steel nut Standard Cr-Mo alloy hexagon bolt/nut Standard NACE bolt/nut (ASTM A193 B7M/A194 2HM) Standard NACE bolt/nut (ASTM A320 L7M/A194 2HM) } (*11) Standard 304 stainless steel bolt/304 stainless steel nut Standard 630 stainless steel bolt/304 stainless steel nut (*12) Standard 316 stainless steel bolt/316 stainless steel nut (*11) Standard	Note 10 Note 11 Note 11 Note 11 Note 12 Note 11																	A	B	C	D	E	F	U
21	<Other options> (*4) High accuracy type (*11) Instruction manual attached Opposite Vent/Drain Plug Position Instruction manual attached Instruction manual unattached Opposite Vent/Drain Plug Position Instruction manual unattached	Note 4 Note 11																	H	C	L	P			

Note3: (*3) Customer tag number can be engraved on standard stainless steel name plate. If extra tag plate is required, select "Yes".
 Note4: (*4) If other option is not necessary, 21st digit code is blank. In case of 21st digit code is blank, instruction manual attached.
 Note5: (*5) Not available for 10th digit code "C".
 Note6: (*6) Available for 4th digit code "S".

Note8: (*8) Available for 4th digit code "6", "8", "T", "W".
 Note9: (*9) Available for 4th digit code "6", "T".
 Note10: (*10) In case of tropical use, select stainless bolts and nuts.
 Note11: (*11) Not available for 6th digit code "5".
 Note12: (*12) Available for 6th digit code "5".

ACCESSORIES

Oval flanges: (Model FFP, refer to Data Sheet No. EDS6-128)
 Converts process connection to 1/2-14 NPT or to Rc1/2; in carbon steel or in 316 stainless steel.

Hand-held communicator:
 (Model FXW, refer to Data Sheet No. EDS8-47)

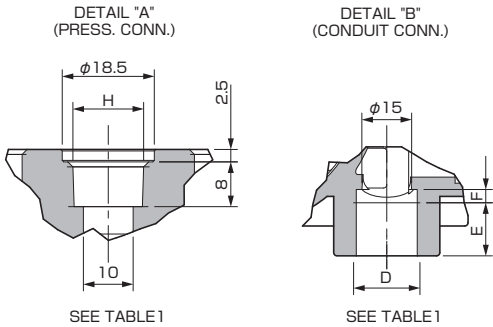
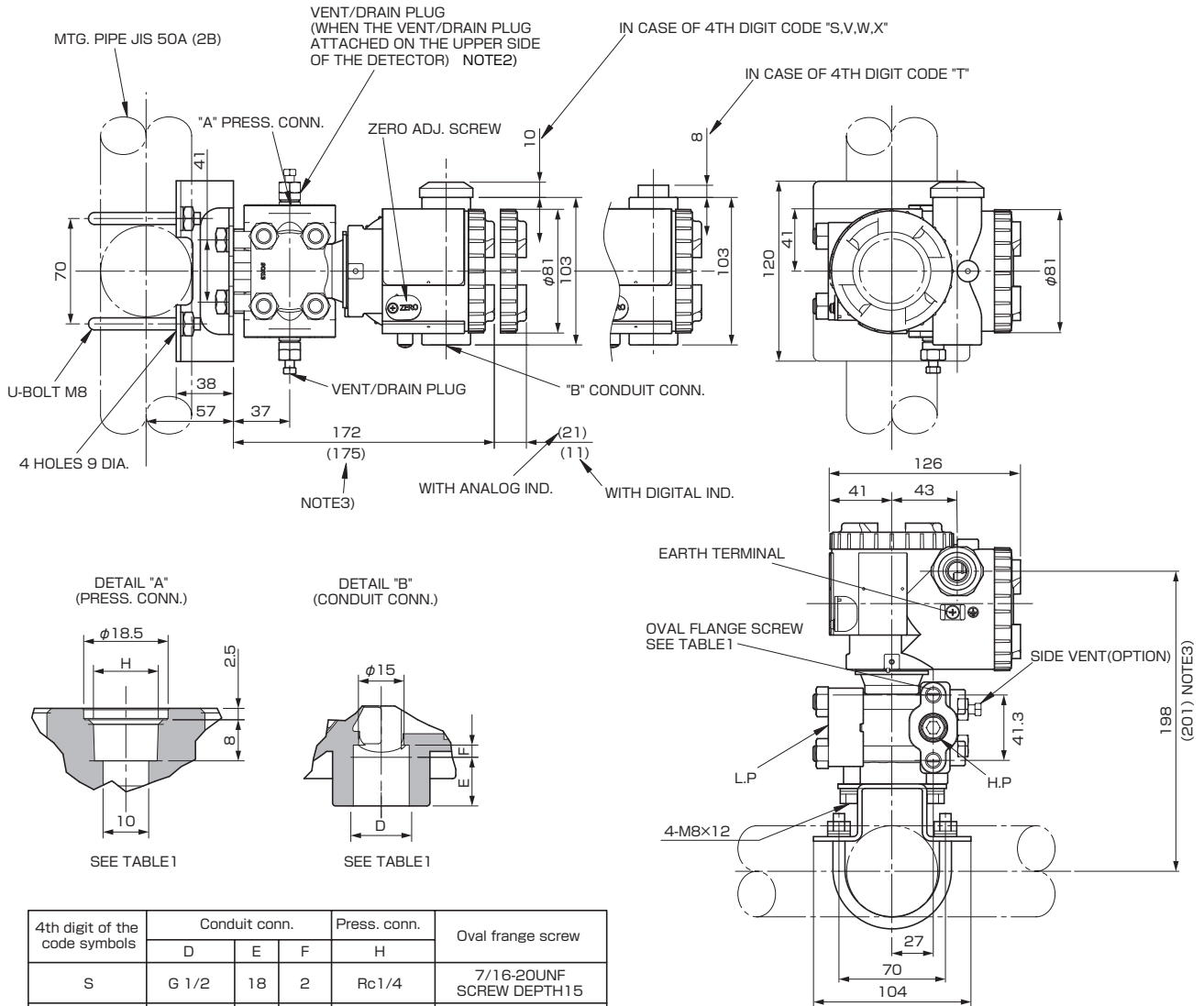
ORDERING INFORMATION

When ordering this instrument, specify.

1. CODE SYMBOLS
2. Measuring range
3. Output orientation (burnout direction) when abnormality is occurred in the transmitter.
 Hold/Overscale/Overscale
 Unless otherwise specified, output hold function is supplied.
4. Indication method (indicated value and unit) in case of the actual scale (code D,H,P,S on 9th digit).
5. Tag No.(up to 14 alphanumeric characters), if required.

OUTLINE DIAGRAM (Unit:mm)

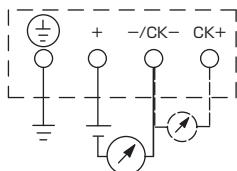
<AMP. case: L type>



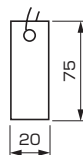
4th digit of the code symbols	Conduit conn.			Press. conn.	Oval flange screw
	D	E	F	H	
S	G 1/2	18	2	Rc1/4	7/16-20UNF SCREW DEPTH 15
T	1/2-14NPT	16	4	1/4-18NPT	7/16-20UNF SCREW DEPTH 15
V	Pg13.5	10.5	4.5	1/4-18NPT	M10 SCREW DEPTH 15
W	M20x1.5	16	4	1/4-18NPT	M10 SCREW DEPTH 15
X	Pg13.5	10.5	4.5	1/4-18NPT	7/16-20UNF SCREW DEPTH 15

TABLE 1

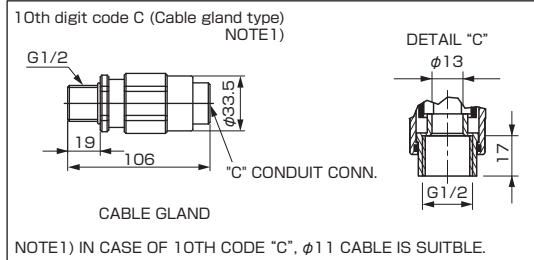
CONNECTION DIAGRAM



<SS TAG PLATE>



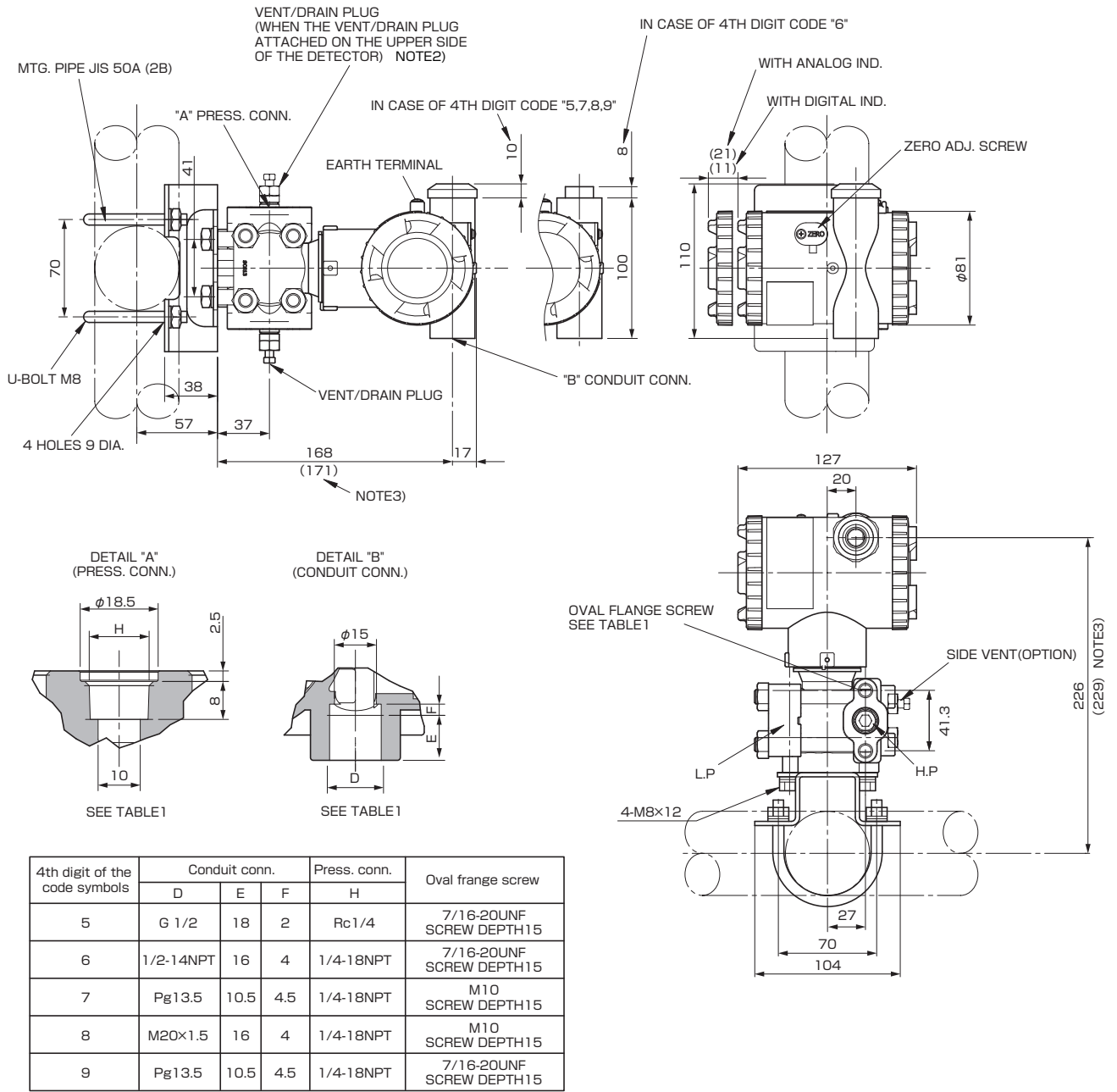
OPTION PARTS FOR FLAMEPROOF OF TIIS (JAPAN)



NOTE1) IN CASE OF 10TH CODE "C", φ11 CABLE IS SUITBLE.

NOTE2) THE PRESSURE CONNECTOR IS LOCATED ON THE DOWN SIDE SURFACE OF THE DETECTOR, WHEN THE VENT/DRAIN PLUG IS ATTACHED ON THE UPPER SIDE OF THE DETECTOR (WHEN THE 21ST DIGIT OF THE CODE SYMBOLS : C.P.)
 NOTE3) WHEN THE 7TH DIGIT OF THE CODE SYMBOLS "H,M,T"

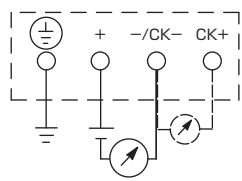
<AMP. case: T type>



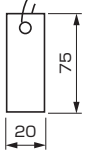
4th digit of the code symbols	Conduit conn.			Press. conn.	Oval frange screw
	D	E	F	H	
5	G 1/2	18	2	Rc1/4	7/16-20UNF SCREW DEPTH15
6	1/2-14NPT	16	4	1/4-18NPT	7/16-20UNF SCREW DEPTH15
7	Pg13.5	10.5	4.5	1/4-18NPT	M10 SCREW DEPTH15
8	M20x1.5	16	4	1/4-18NPT	M10 SCREW DEPTH15
9	Pg13.5	10.5	4.5	1/4-18NPT	7/16-20UNF SCREW DEPTH15

TABLE 1

CONNECTION DIAGRAM



<SS TAG PLATE>



NOTE2) THE PRESSURE CONNECTOR IS LOCATED ON THE DOWN SIDE SURFACE OF THE DETECTOR. WHEN THE VENT/DRAIN PLUG IS ATTACHED ON THE UPPER SIDE OF THE DETECTOR (WHEN THE 21ST DIGIT OF THE CODE SYMBOLS : C,P).

NOTE3) WHEN THE 7TH DIGIT OF THE CODE SYMBOLS "H.M.T"

TABLE 2

Authorities	Intrinsic safety																					
ATEX	<p>Ex II 1 G Ex ia IIC T5 Tamb = -40°C to +50°C Ex ia IIC T4 Tamb = -40°C to +70°C</p> <p>Entity Parameters: Ui=28V, li=94.3mA, Pi=0.66W, Ci=26nF (Without Arrester), Li=0.6mH (Without analog indicator), Ci=36nF (With Arrester), Li=0.7mH (With analog indicator)</p>																					
Factory Mutual	<p>Class I II III Div.1 Groups A, B, C, D, E, F, G T4 Entity Type 4X</p> <table border="1"> <thead> <tr> <th colspan="2">Model code</th> <th>Tamb</th> </tr> <tr> <th>9th digit</th> <th>13th digit</th> <th></th> </tr> </thead> <tbody> <tr> <td>A,B,D</td> <td>Y,G,N,R</td> <td>-40°C to +85°C</td> </tr> <tr> <td>L,P,1,2</td> <td>Y,G,N,R</td> <td>-20°C to +80°C</td> </tr> <tr> <td>Q,S,4,5</td> <td>Y,G,N,R</td> <td>-20°C to +60°C</td> </tr> <tr> <td>E,F,H</td> <td>Y,G,N,R</td> <td>-40°C to +60°C</td> </tr> <tr> <td>-</td> <td>W,A,D</td> <td>-10°C to +60°C</td> </tr> </tbody> </table> <p>Entity Parameters: Vmax=28V, Imax=94.3mA, Pi=0.66W, Ci=35.98nF, Li=0.694mH</p>	Model code		Tamb	9th digit	13th digit		A,B,D	Y,G,N,R	-40°C to +85°C	L,P,1,2	Y,G,N,R	-20°C to +80°C	Q,S,4,5	Y,G,N,R	-20°C to +60°C	E,F,H	Y,G,N,R	-40°C to +60°C	-	W,A,D	-10°C to +60°C
Model code		Tamb																				
9th digit	13th digit																					
A,B,D	Y,G,N,R	-40°C to +85°C																				
L,P,1,2	Y,G,N,R	-20°C to +80°C																				
Q,S,4,5	Y,G,N,R	-20°C to +60°C																				
E,F,H	Y,G,N,R	-40°C to +60°C																				
-	W,A,D	-10°C to +60°C																				
CSA	<p>Class I Div.1 Groups A, B, C, D Class II Div.1 Groups E, F, G Class III Div.1</p> <p>Temp Code T5 Tamb max = +50°C Temp Code T4 Tamb max = +70°C</p> <p>Entity Parameters: Vmax=28V, Imax=94.3mA, Ci=25nF (Without Arrester), Ci=36nF (With Arrester), Li=0.6mH (Without analog meter), Li=0.7mH (With analog meter)</p>																					
TIIS	<p>Ex ia IIC T4 Tamb max = +60°C</p> <p>Entity Parameters: Ui=28V, li=94.3mA, Pi=0.66W, Ci=38.4nF, Li=0.694mH</p>																					
IECEX Scheme	<p>Ex ia IIC T4 Tamb = -40°C to +70°C Ex ia IIC T5 Tamb = -40°C to +50°C</p> <p>Entity Parameters: Ui=28V, li=94.3mA, Pi=0.66W, Ci=26nF (Without Arrester), Li=0.6mH (Without analog indicator), Ci=36nF (With Arrester), Li=0.7mH (With analog indicator)</p>																					
NEPSI	<p>Ex ia IIC T4 Ex d IIB+H₂ T6 / Ex ia IIC T4</p> <table border="1"> <thead> <tr> <th colspan="2">Model code</th> <th>Tamb</th> </tr> <tr> <th>9th digit</th> <th>13th digit</th> <th></th> </tr> </thead> <tbody> <tr> <td>A,B,D</td> <td>Y,G,N,R</td> <td>-40°C to +85°C</td> </tr> <tr> <td>L,P,1,2</td> <td>Y,G,N,R</td> <td>-20°C to +80°C</td> </tr> <tr> <td>Q,S,4,5</td> <td>Y,G,N,R</td> <td>-20°C to +60°C</td> </tr> <tr> <td>E,F,H</td> <td>Y,G,N,R</td> <td>-40°C to +60°C</td> </tr> <tr> <td>-</td> <td>W,A,D</td> <td>-10°C to +60°C</td> </tr> </tbody> </table> <p>Entity Parameters: Ui=42.4V, li=113mA, Pi=1W, Ci=35.98nF, Li=0.694mH</p>	Model code		Tamb	9th digit	13th digit		A,B,D	Y,G,N,R	-40°C to +85°C	L,P,1,2	Y,G,N,R	-20°C to +80°C	Q,S,4,5	Y,G,N,R	-20°C to +60°C	E,F,H	Y,G,N,R	-40°C to +60°C	-	W,A,D	-10°C to +60°C
Model code		Tamb																				
9th digit	13th digit																					
A,B,D	Y,G,N,R	-40°C to +85°C																				
L,P,1,2	Y,G,N,R	-20°C to +80°C																				
Q,S,4,5	Y,G,N,R	-20°C to +60°C																				
E,F,H	Y,G,N,R	-40°C to +60°C																				
-	W,A,D	-10°C to +60°C																				

Authorities	Flameproof
ATEX	<p>Ex II 2 GD Ex d IIC T6 IP66/67 T85°C Tamb = -40°C to +65°C Ex d IIC T5 IP66/67 T100°C Tamb = -40°C to +85°C</p>
Factory Mutual	<p>Class I Div.1 Groups B, C, D T6 Type 4X Class II III Div.1 Groups E, F, G T6 Type 4X Tamb max = +60°C</p>
CSA	<p>Class I Div.1 Groups C, D Class II Div.1 Groups E, F, G Class III Div.1</p> <p>Note) "Seal Not Required" enclosure is allowed.</p>
TIIS	<p>Ex do IIB+H₂ T4 Tamb max = +60°C Maximum process temp. = +120°C</p>
IECEX Scheme	<p>Ex d IIC T5 IP66/67 Tamb = -40°C to +85°C Ex d IIC T6 IP66/67 Tamb = -40°C to +65°C</p>
NEPSI	<p>Ex d IIB+H₂ T6 Tamb = -40°C to +60°C</p>

Authorities	Type n Nonincendive																					
ATEX	<p>Ex II 3 GD EEx nL IIC T5 Tamb = -40°C to +50°C EEx nL IIC T4 Tamb = -40°C to +70°C</p> <p>Specific Parameters: Model without arrester: Ui=42.4V, li=113mA, Pi=1W, Ci=25.18nF, Li=0.694mH Model with arrester: Ui=32V, li=113mA, Pi=1W, Ci=35.98nF, Li=0.694mH</p> <p>EEx nAL IIC T5 Tamb = -40°C to +50°C EEx nAL IIC T4 Tamb = -40°C to +70°C</p> <p>Specific Parameters: Model without arrester: Umax=42.4V, Imax=113mA, Pmax=1W Model with arrester: Umax=32V, Imax=113mA, Pmax=1W</p>																					
Factory Mutual (pending)	<p>Class I II III Div.2 Groups A, B, C, D, F, G T4 Entity Type 4X</p> <table border="1"> <thead> <tr> <th colspan="2">Model code</th> <th>Tamb</th> </tr> <tr> <th>9th digit</th> <th>13th digit</th> <th></th> </tr> </thead> <tbody> <tr> <td>A,B,D</td> <td>Y,G,N,R</td> <td>-40°C to +85°C</td> </tr> <tr> <td>L,P,1,2</td> <td>Y,G,N,R</td> <td>-20°C to +80°C</td> </tr> <tr> <td>Q,S,4,5</td> <td>Y,G,N,R</td> <td>-20°C to +60°C</td> </tr> <tr> <td>E,F,H</td> <td>Y,G,N,R</td> <td>-40°C to +60°C</td> </tr> <tr> <td>-</td> <td>W,A,D</td> <td>-10°C to +60°C</td> </tr> </tbody> </table>	Model code		Tamb	9th digit	13th digit		A,B,D	Y,G,N,R	-40°C to +85°C	L,P,1,2	Y,G,N,R	-20°C to +80°C	Q,S,4,5	Y,G,N,R	-20°C to +60°C	E,F,H	Y,G,N,R	-40°C to +60°C	-	W,A,D	-10°C to +60°C
Model code		Tamb																				
9th digit	13th digit																					
A,B,D	Y,G,N,R	-40°C to +85°C																				
L,P,1,2	Y,G,N,R	-20°C to +80°C																				
Q,S,4,5	Y,G,N,R	-20°C to +60°C																				
E,F,H	Y,G,N,R	-40°C to +60°C																				
-	W,A,D	-10°C to +60°C																				
CSA	<p>Class I Div.2 Groups A, B, C, D Class II Div.2 Groups E, F, G Class III Div.2</p> <p>Temp Code T5 Tamb max = +50°C Temp Code T4 Tamb max = +70°C</p> <p>Entity Parameters: Vmax=28V, Ci=25.18nF (Without Arrester), Ci=35.98nF (With Arrester), Li=0.694mH</p>																					

⚠ Caution on Safety

*Before using this product, be sure to read its instruction manual in advance.

Fuji Electric Co., Ltd.

International Sales Div

Sales Group

Gate City Ohsaki, East Tower, 11-2, Osaki 1-chome,

Shinagawa-ku, Tokyo 141-0032, Japan

http://www.fujielectric.com

Phone: 81-3-5435-7280, 7281 Fax: 81-3-5435-7425

http://www.fujielectric.com/products/instruments/